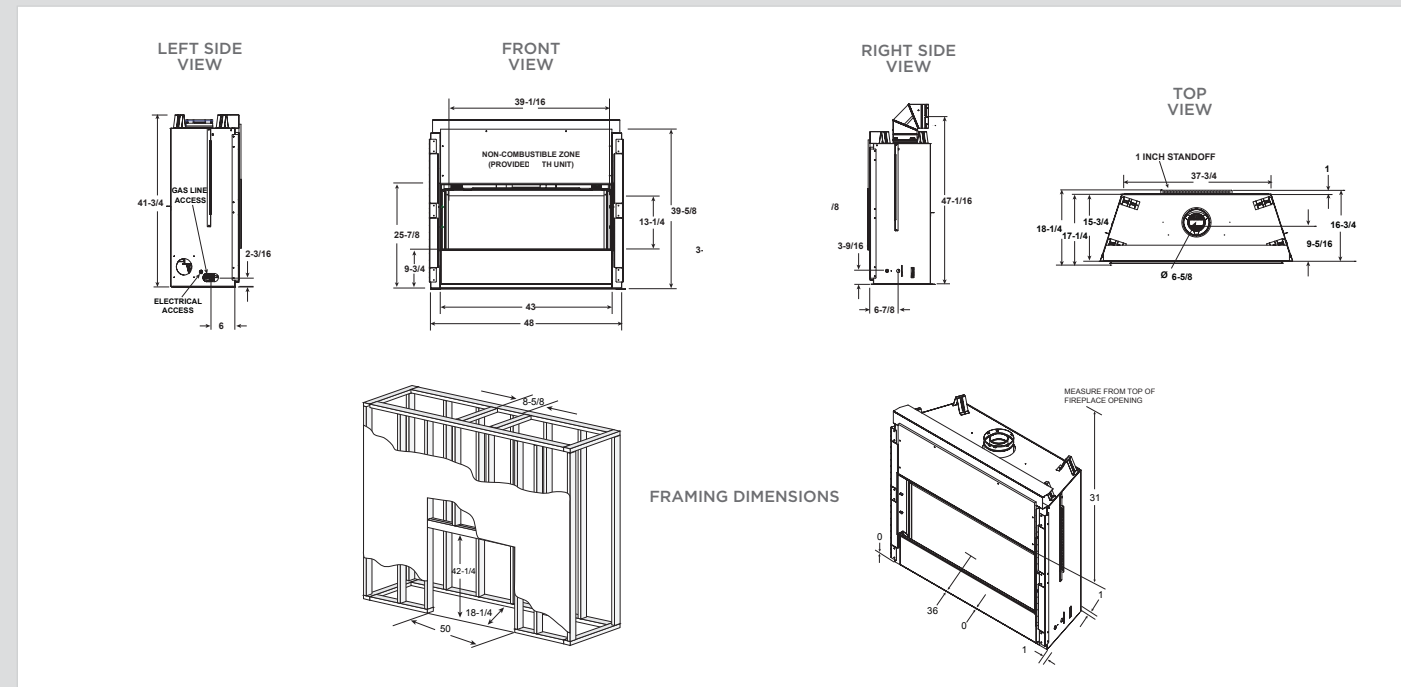


## Cosmo SLR Specifications

MODEL	FRONT WIDTH		BACK WIDTH		HEIGHT		DEPTH		VIEWING AREA	Btu/Hour Input
	Actual	Framing	Actual	Framing	Actual	Framing	Actual	Framing		
SLR	48	50	37-3/4	50	39-5/8	42-1/4	16-3/4	18-1/4	13-1/4 x 39-1/16	26,000 (NG) 25,000 (LP)



Dimensions above are in inches. Reference dimensions only. We recommend measuring individual units at installation. Assumes the use of 1/2" Sheetrock. NOTE: Combustible material should not be installed over the face. Make sure you do NOT cover the decorative door opening.

Refer to installation manual for detailed specifications on installing this product. Heat & Glo reserves the right to update units periodically. The flame and ember appearance may vary based on the type of fuel burned and the venting configuration used. Pictures in this brochure are not a true representation of the fireplace and/or flames.

### Cosmo SLR Features

- IntelliFire ignition system
- Zero clearance provides ease of installation and cost savings
- Two front options with five color choices each
- Eight media options (Black glass ships standard)
- Optional reflective porcelain firebox liner
- WSK-21 wall control standard

### IntelliFire™

Our exclusive, state-of-the-art, IntelliFire ignition system conserves fuel and saves money by providing a pilot flame only when needed.

### U.S. Efficiencies

**Steady State** - Since most homeowners use their fireplaces for an extended time while they are in the room, Steady State measures how efficiently your fireplace converts fuel to heat once it is warmed up and running in a "steady state".

**AFUE** - AFUE rating is more typically used with appliances, like your furnace, that continually cycle on and off to maintain a constant temperature.

Rating	NG
Steady State	73%
AFUE	56%

### Canada Efficiencies

**EnerGuide (CSAP.4.1-02)** - EnerGuide is a rating used in Canada to measure annual fireplace efficiency.

Rating	NG
EnerGuide (CSAP.4.1-02)	57%

For complete information on this model, please contact us at:

## HEAT & GLO

No one builds a better fire

A brand of Hearth & Home Technologies Inc.™  
7571 215th Street West, Lakeville, MN 55044  
Web: heatnglo.com  
Phone: (888) 427-3973 (952) 985-6000  
E-mail: info@heatnglo.com

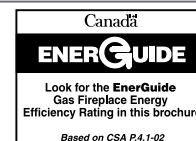
For full warranty details, go to [www.heatnglo.com](http://www.heatnglo.com).

### Limited Lifetime Warranty\*

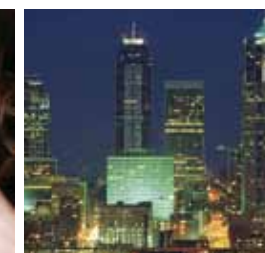
The strongest in the industry, Heat & Glo provides a limited lifetime warranty on the most important aspects: firebox and heat exchanger.



HNG-1092U-0110



**HEAT & GLO**  
No one builds a better fire



**Cosmo SLR**  
Direct Vent Gas Fireplace



The **Cosmo SLR** is a modern marvel. Downtown, uptown, and everywhere in between, when looks matter, it's your style. Mix and match with modern décor. A fireplace so cool, it's hot and highly efficient at setting the mood.

- Define your fire with your choice of Martini or Tonic fronts.
- Traditional logs, modern black or white beads, glass and reflective porcelain allow you to create the combination of art and fire to accent your décor

## Fronts & Finishes



Martini Front Angle mitred frame with tinted glass.

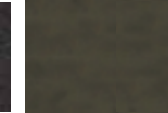


Tonic Front One-piece frame with mesh.

**Front Finishes** Five rich finishes. High on style, long on durability. Available on both fronts.



Graphite



New Bronze



Ebony



Fog



Lava



A



B



C

**A.** Cosmo SLR shown with Tonic front in Fog with Black glass.

**B.** Cosmo SLR shown with Martini front in Black with White Glass Beads and porcelain interior liner.

**C.** Standard black glass

**Top:** Cosmo SLR shown with Martini front in Ebony with Black glass media.

**Cover:** Cosmo SLR shown with Tonic front in Fog with Black glass media.

## Glass Media Options

Six contemporary glass media options are available to accent the firebox.



Black Glass (Standard)



Crystal Clear Glass



Black Glass Beads



Cobalt Glass



Amber Glass



White Glass Beads

# Cosmo SLR

Downtown, uptown & everywhere in between

## Stone & Log Options

Enhance the firebox with seemingly natural elements, logs or fiber stones offer a unique appearance.



Fiber stones shown with optional reflective porcelain interior liner and Tonic front in graphite



Log Kit shown with Tonic front in graphite

## Interior Liner Option

The optional reflective black glass interior liner displays exceptional angles of the ribbon of flames.



Reflective porcelain interior liner shown with optional fiber stones